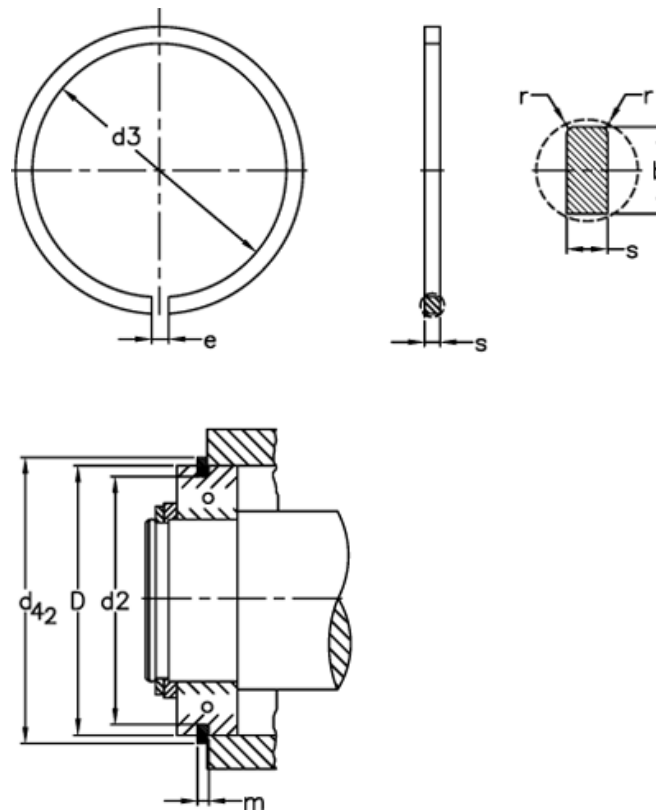


Data Sheet



Article number: 0125123
 Description: Retaining ring SP150
 Spring steel

Measures



b	= 7.21	FRg kN	= 15.00	tol	= -0.15
D	= 150	FR kN	= 101.5	tol	= -0.1
d2	= 145.24	g	= 4.0	tol	= -0.50
d3	= 142.9	K kN-mm	= 234.0	tol	= 0.3
d42	= 159.7	m	= 3.10	tol	= 1.6
Description	= SP 150	n abl x 1000	= 1.0	Weight kg/1000	= 77.2
e	= 7	r min	= 0.7		
FN kN	= 193.0	s	= 2.82		